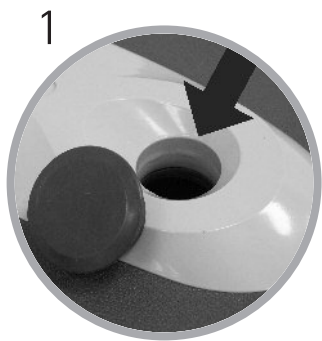


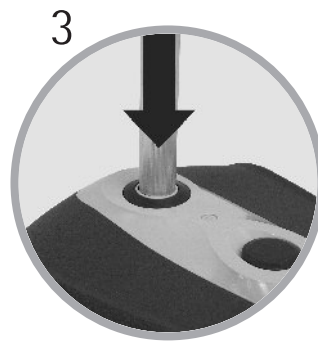
Voyager II Assembly Instructions



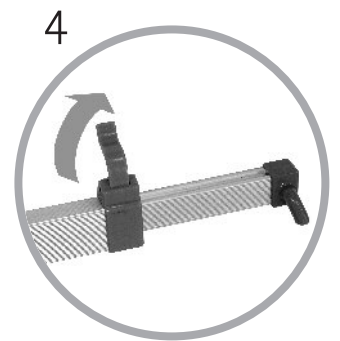
1 Remove top cap on the Voyager base unit and fill the base with water for extra stability (if required)



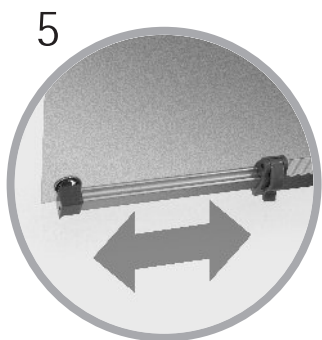
2 Replace top filler cap



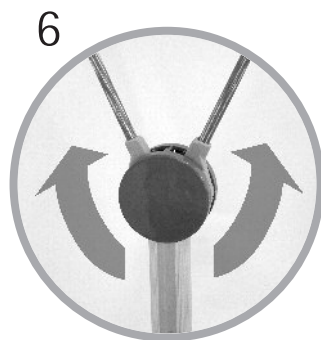
3 Insert telescopic pole firmly into the base unit



4 Flip up catch on the graphic rail (affixed to base unit) and extend to the required length to suit graphic width



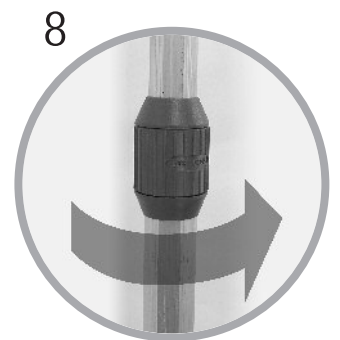
5 Affix the bottom section of the graphic to base graphic rail and adjust tension on the graphic rail (if required)



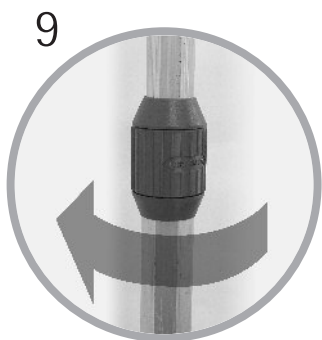
6 Raise the extension arms affixed to the telescopic pole



7 Hook top section of the eyeleted graphic onto fixing hooks attached to the extension arms



8 Unlock the telescopic pole by twisting the handle anti-clockwise



9 Extend the telescopic pole to tension the graphic and twist handle clockwise to lock into position

Your Voyager II is now ready for all types of promotional display presentation. To dismantle reverse the assembly procedure. Ensure graphic is rolled up – image side facing outwards.

